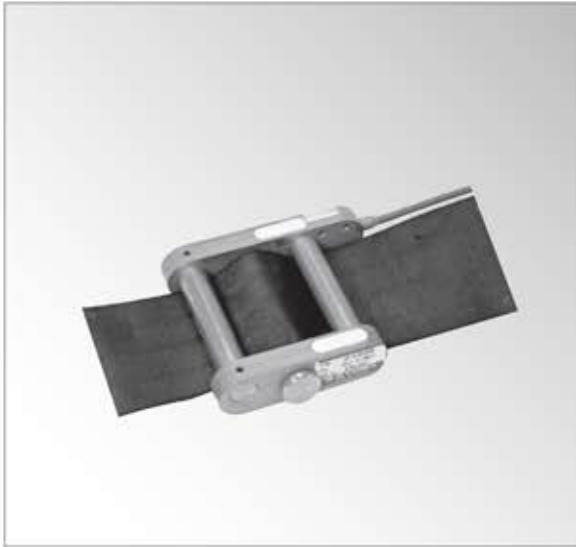


# LBT-A-20KNSA1

## Seat Belt Tension Transducer



### Measuring impact-initiated tension of seat belt in crash tests

The LBT-A-20KNSA1 adopts strain gages, it detects the impact-initiated tension applied through the dummy to the seat belt.

#### Specifications

##### Performance

Rated Capacity	20 kN
Nonlinearity	Within $\pm 2\%$ RO
Rated Output	Approx. 2.5 mV/V ( $5000 \times 10^{-6}$ strain)

##### Environmental Characteristics

Safe Temperature	0 to 60°C
Compensated Temperature	10 to 50°C
Temperature Effect on Zero	Within $\pm 0.1\%$ RO/°C
Temperature Effect on Output	Within $\pm 0.1\%$ /°C

##### Electrical Characteristics

Safe Excitation	10 V AC or DC
Recommended Excitation	1 to 5 V AC or DC
Input Resistance	350 $\Omega$ $\pm 2\%$
Output Resistance	350 $\Omega$ $\pm 2\%$
Cable	4-conductor (0.08 mm <sup>2</sup> ) vinyl shielded cable, 3.2 mm diameter by 7 m long, terminated with a connector plug R05-PB5M (Shield wire is not connected to the case.)

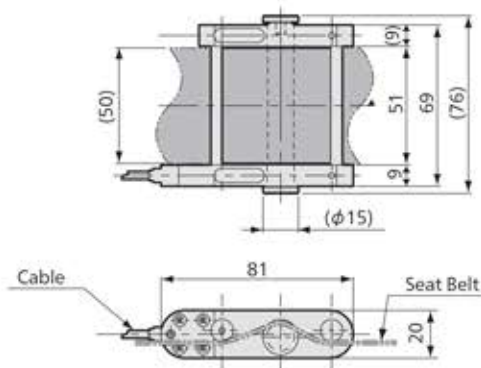
##### Mechanical Properties

Safe Overloads	100%
Enclosure	Metallic finish
Weight	Approx. 130 g
Others	Not waterproofed. Single belt calibration (Our standard seat belt)

Note) Characteristic values are based on our calibration methods and conditions.

\*We accept calibration for the supplied seat belt.

#### ■ Dimensions



LBT-A-20KNSA1  
Recommended  
products for  
combination



It requires change of the conversion cable or plug.

